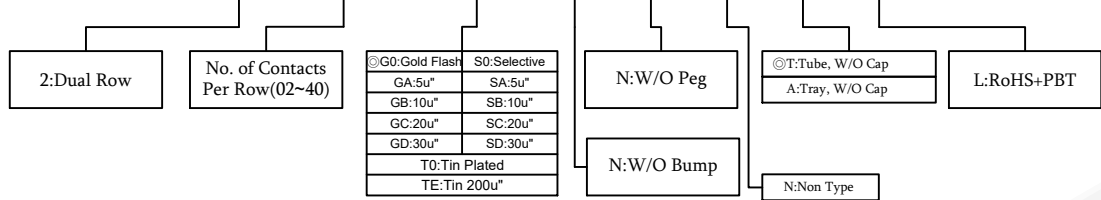


MATERIAL

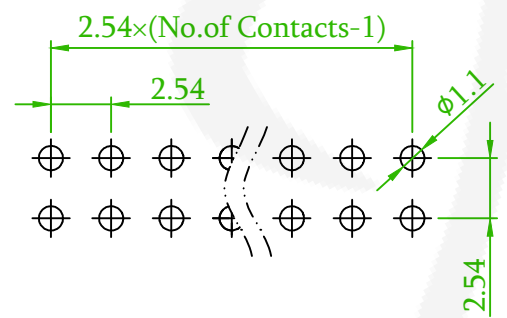
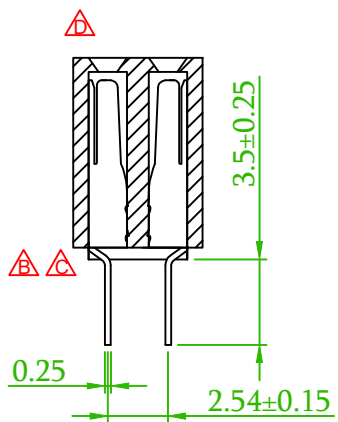
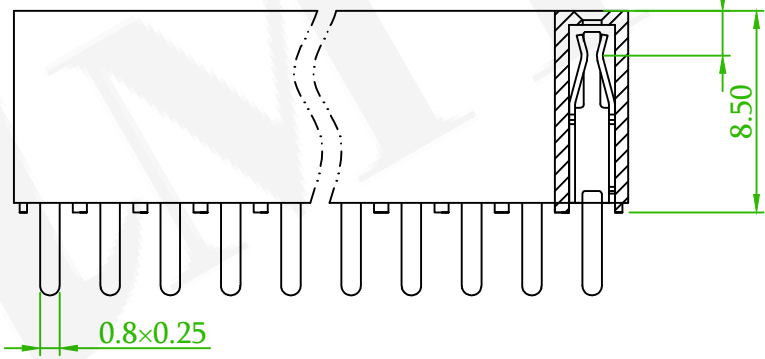
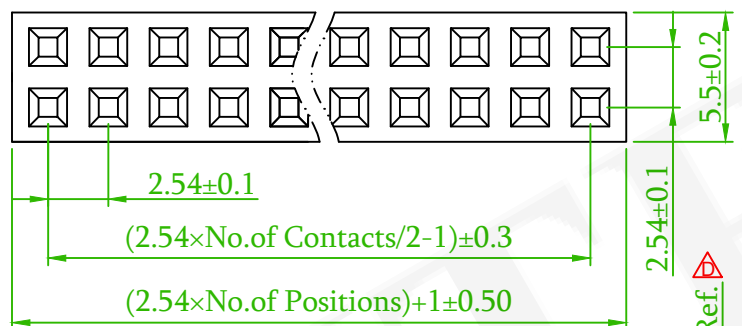
Insulator:PBT, UL94V-0 Black
Contact Pin:Phosphor Bronze

ORDER INFORMATION

5 P S 1 T C B 8 5 - 2 X X X X N N N X L - 0 0



AMTEK 耀德
2022.06.27
Released DCC



Recommended PCB Layout
(PCB TOLERANCE ±0.05)

Old Part No. : PS1T85-2XX-L

 耀德精密有限公司 Amtek Technology Co., Ltd. TEL: 886-2-2260-6878 FAX: 886-2-2260-8030	品名 TITLE	FEMALE HEADER 2.54mm D/R V/T DIP TYPE				頁數 Page	1/1
	品號 PART NO.	5PS1TCB85-2XXXXNNNXL-00			繪圖 DRAWN	Joey 2016/08/08	
	圖號 DRAWING NO.	GN110-MD095	版本 REV.	E	核對 CHECKED	Boris 2016/08/08	
	客戶品號 CUSTOMER P/N		比例 SCALE	None	承認 APPROVED	Boris 2016/08/08	
	公差 TOLERANCE	.X ± 0.38 .XX ± 0.25	.X° ± 3°	單位 UNIT	mm	THIRD ANGLE PROJECTION	

	ECN NO.:220102 Revise the drawing	Alice	2022/05/11
	ECN NO.:201226 Add the Contact point	Benson	2021/01/23
	ECN NO.:180705,Revise the Drawing	Mia	2018/07/31
REV.	ECN NO. OR DESCRIPTION	REVISED	DATE