

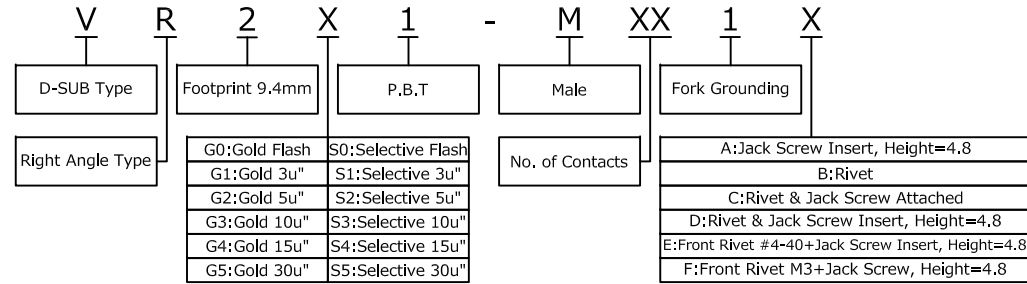
Specification

Current Rating: 5A AC,DC
 Contact Resistance: 30mΩ Max
 Insulation Resistance: 1000MΩ Min
 Withstanding Voltage: 500V AC/minute
 Temperature Range: -55°C ~ +105°C

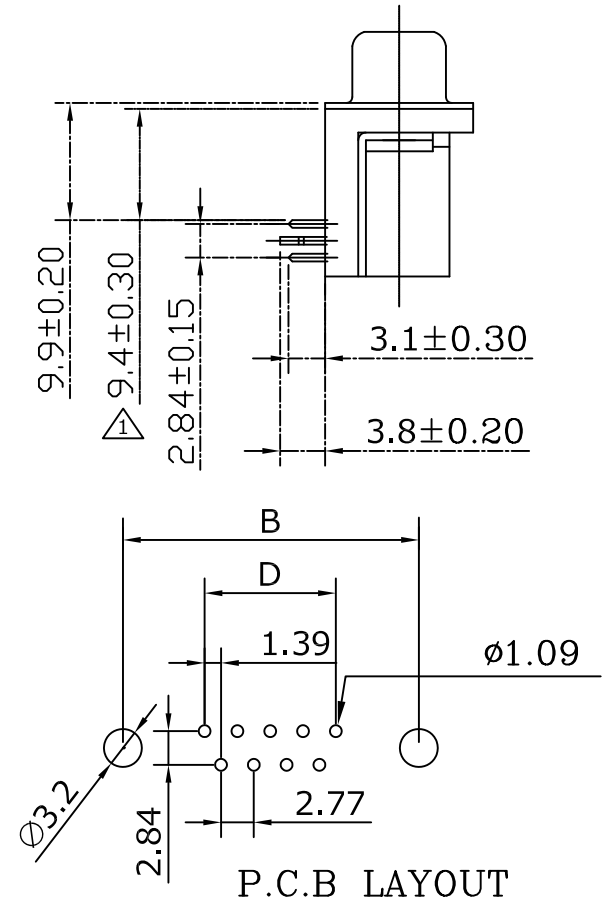
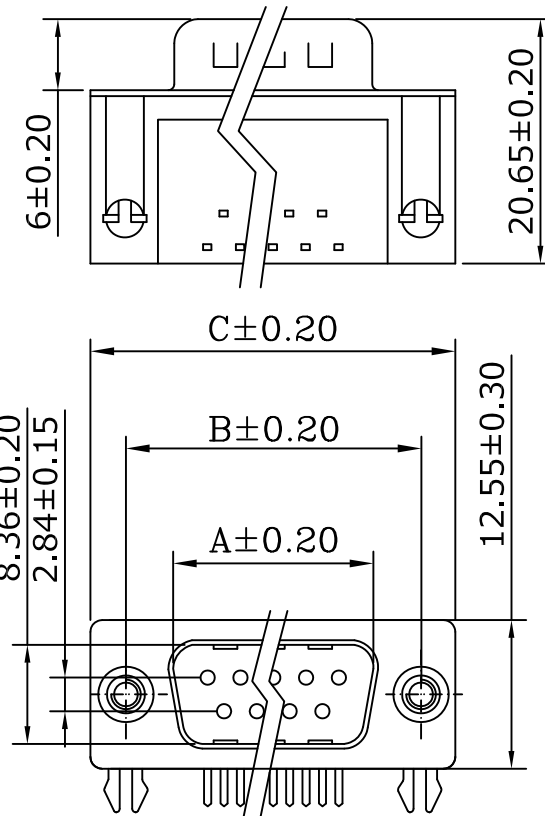
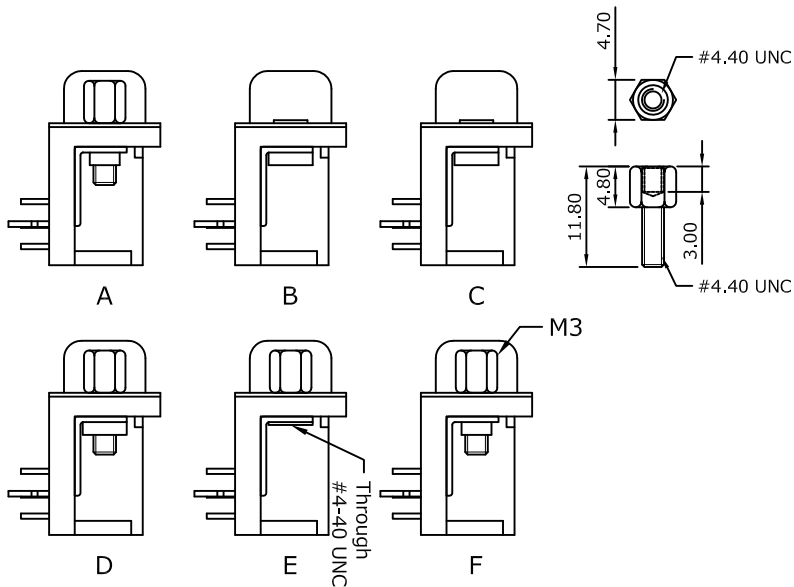
Material

Insulator: P.B.T, UL94V-0
 Contact: Copper Alloy
 Shell: Steel, nickel plating.

ORDER INFORMATION



No. of Contact	A ±0.20	B ±0.20	C ±0.20	D
09	16.90	24.99	30.81	11.08
15	26.38	33.32	39.14	19.39
25	39.94	47.04	53.04	33.24
37	56.43	63.50	69.32	49.86



			<p>Morecrafts Tel: +886-2-2966-1326 Fax: +886-2-2966-1352</p>	PART NO.	VR2X1-MXX1X	DATE	2008/01/12		
				DRAWING NO.	VR2X1-MXX1X	DRAWN	Andrew		
				CUSTOMER P/N		APPROVED	Brain		
△	Changed tolerance ±0.2 to ±0.3mm	2018/1/2							
REV.	DESCRIPTION	DATE	TITLE: D-SUB Right Angle Type Footprint 9.4mm	REV. A	TOLERANCE .X ±0.25 .XX ±0.20	SCALE	1:1	UNIT	mm