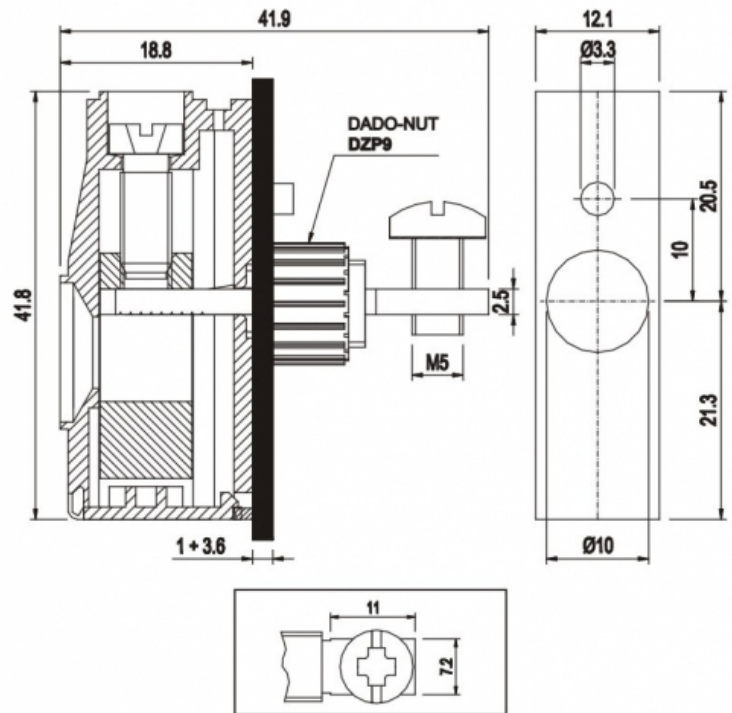


# MPT1612



## GENERAL INFORMATIONS

pitch:	12,1 mm
housing height:	41,80 mm
housing depth:	18.8 mm
dimensional class:	n/a
wire section:	16 mm <sup>2</sup> / 6 AWG
clamp opening size:	Ø10 mm
wire stripping:	max 17 mm
operating temperature:	-40°C ÷ +130°C

## ELECTRICAL CHARACTERISTICS

current:	76A
voltage:	450V
test voltage:	2.5 kVrms/60s

## MECHANICAL CHARACTERISTICS

screw:	M5
max. torque:	2 Nm / 18 in.lbs
rec. torque (bar):	2 Nm / 18 in.lbs

## APPROVALS DATA



current:	-	EN 60998-1	UL 1059
voltage:	-	76A	85A factory / 85A field
wire section:	-	450V	600V
torque:	-	16mm <sup>2</sup>	4÷30AWG
FILE:	-	1.2Nm	18Lb-in
	-	40016489	E178356

**MATERIALS**

housing: PA - UL 94 V0  
screw: Galvanized steel  
clamp/spring: Nickered copper alloy  
terminal: Copper alloy

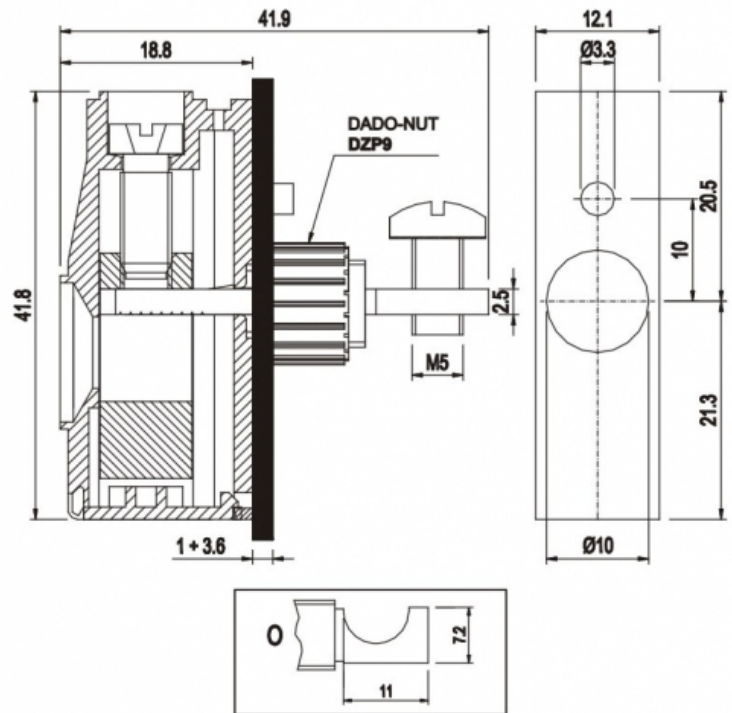
**AVAILABLE COLOURS**



other colours: upon request

poles	P/N	pcs/pack	W [Kg]*	W [Kg]*
1	MPT1612	N/A	N/A	N/A

# MPT1612-O



## GENERAL INFORMATIONS

pitch:	12,1 mm
housing height:	41,80 mm
housing depth:	18.8 mm
dimensional class:	n/a
wire section:	16 mm <sup>2</sup> / 6 AWG
clamp opening size:	Ø10 mm
wire stripping:	max 17 mm
operating temperature:	-40°C ÷ +130°C

## ELECTRICAL CHARACTERISTICS

current:	76A
voltage:	450V
test voltage:	2.5 kVrms/60s

## MECHANICAL CHARACTERISTICS

screw:	M5
max. torque:	2 Nm / 18 in.lbs
rec. torque (bar):	2 Nm / 18 in.lbs

## APPROVALS DATA



current:	-	EN 60998-1	UL 1059
voltage:	-	76A	85A factory / 85A field
wire section:	-	450V	600V
torque:	-	16mm <sup>2</sup>	4÷30AWG
FILE:	-	1.2Nm	18Lb-in
	-	40016489	E178356

**MATERIALS**

housing: PA - UL 94 V0  
screw: Galvanized steel  
clamp/spring: Nickered copper alloy  
terminal: Copper alloy

**AVAILABLE COLOURS**

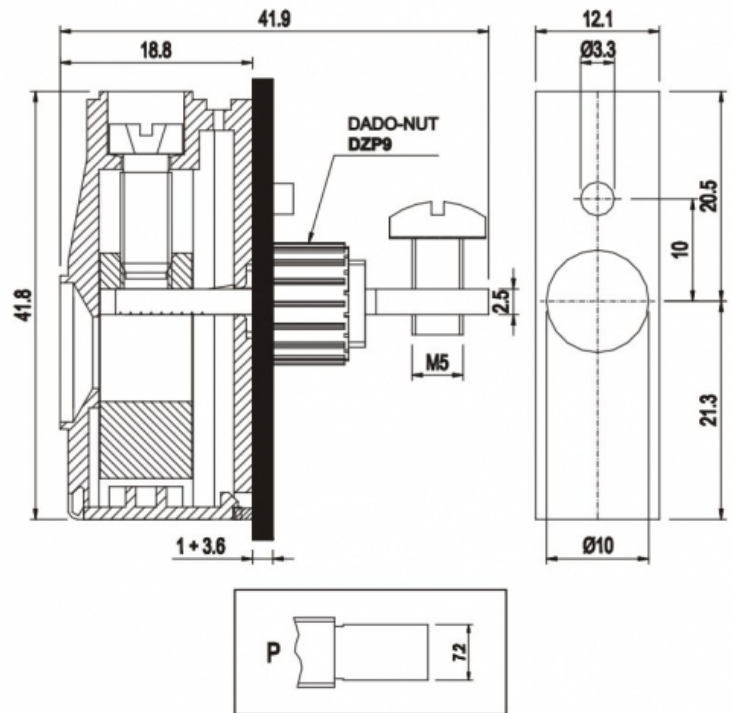


other colours:

upon request

poles	P/N	pcs/pack	W [Kg]*	W [Kg]*
1	MPT1612-O	N/A	N/A	N/A

# MPT1612-P



## GENERAL INFORMATIONS

pitch:	12,1 mm
housing height:	41,80 mm
housing depth:	18.8 mm
dimensional class:	n/a
wire section:	16 mm <sup>2</sup> / 6 AWG
clamp opening size:	Ø10 mm
wire stripping:	max 17 mm
operating temperature:	-40°C ÷ +130°C

## ELECTRICAL CHARACTERISTICS

current:	76A
voltage:	450V
test voltage:	2.5 kVrms/60s

## MECHANICAL CHARACTERISTICS

screw:	M5
max. torque:	2 Nm / 18 in.lbs
rec. torque (bar):	2 Nm / 18 in.lbs

## APPROVALS DATA



current:	-	EN 60998-1	UL 1059
voltage:	-	76A	85A factory / 85A field
wire section:	-	450V	600V
torque:	-	16mm <sup>2</sup>	4÷30AWG
FILE:	-	1.2Nm	18Lb-in
	-	40016489	E178356

**MATERIALS**

housing: PA - UL 94 V0  
screw: Galvanized steel  
clamp/spring: Nickered copper alloy  
terminal: Copper alloy

**AVAILABLE COLOURS**



other colours: upon request

poles	P/N	pcs/pack	W [Kg]*	W [Kg]*
1	MPT1612-P	N/A	N/A	N/A