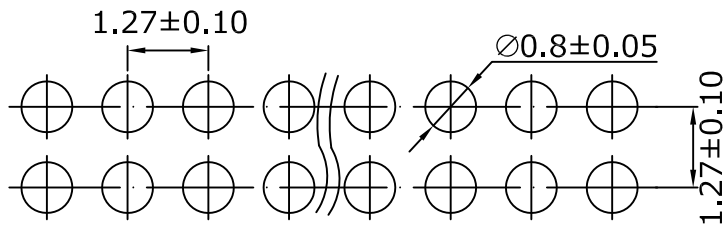
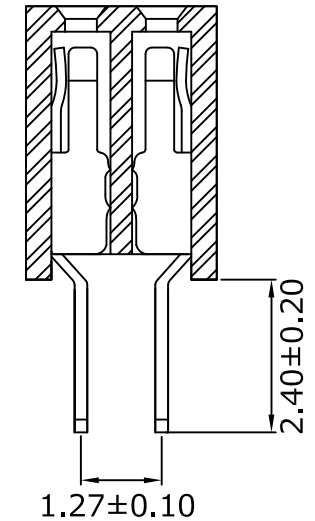
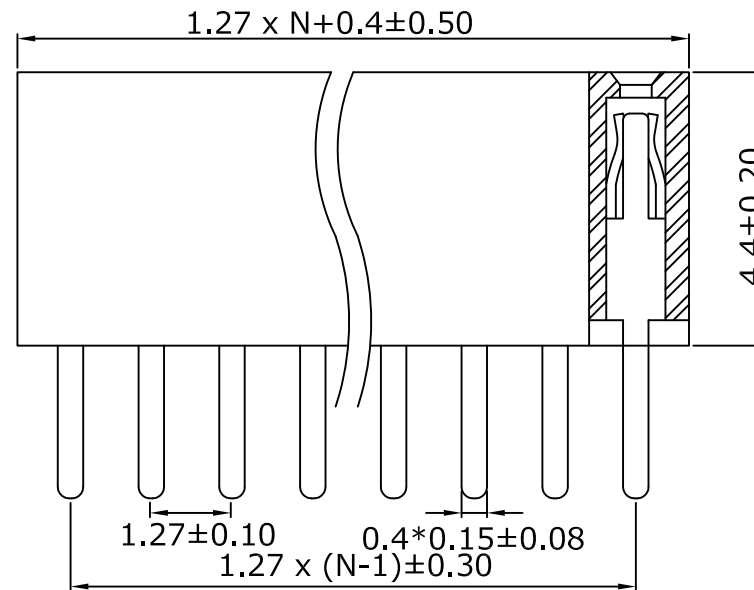
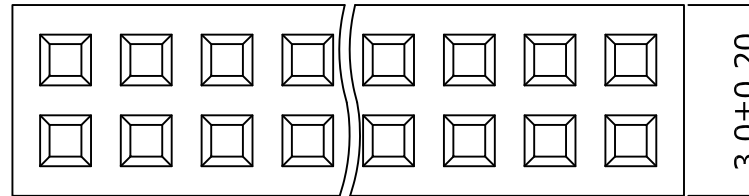


SPECIFICATIONS


Current Rating: 1A
 Contact Resistance: 20m Ω Max
 Insulation Resistance: 1000M Ω Min
 Withstanding Voltage: 500V AC for 1 minute
 Temperature Range: -40°C to +105°C
 Contact: Phosphor Bronze, Gold plated
 Insulator: NY6T+30%G.F., UL94V-0

ORDER INFORMATION

M	L	12	44	X	2 - 2	XX
Straight type		Height=4.4mm		NY6T		No. of Contacts Per Row
Pitch 1.27mm		G0:Gold Flash		S0:Selective Flash		Dual Row
		G1:Gold 3u"		S1:Selective 3u"		
		G2:Gold 5u"		S2:Selective 5u"		
		G3:Gold 10u"		S3:Selective 10u"		
		G4:Gold 15u"		S4:Selective 15u"		
		G5:Gold 30u"		S5:Selective 30u"		



Recommended PCB Layout

 Morecrafts Technology TEL: +886-2-2966-1326 FAX: +886-2-2966-1352 www.morecrafts.com.tw	PART NO.	ML1244X2-2XX	DRAWN	Andrew				
	DRAWING NO.	ML1244X2-2XX	CHECKED	Claudia				
	DATE	2019/02/25	APPROVED	Brian				
TITLE:	Female Header 1.27mm H=4.4mm	REV. A0	TOLERANCE	.X ±0.25 .XX ±0.20	SCALE	1:1	UNIT	mm