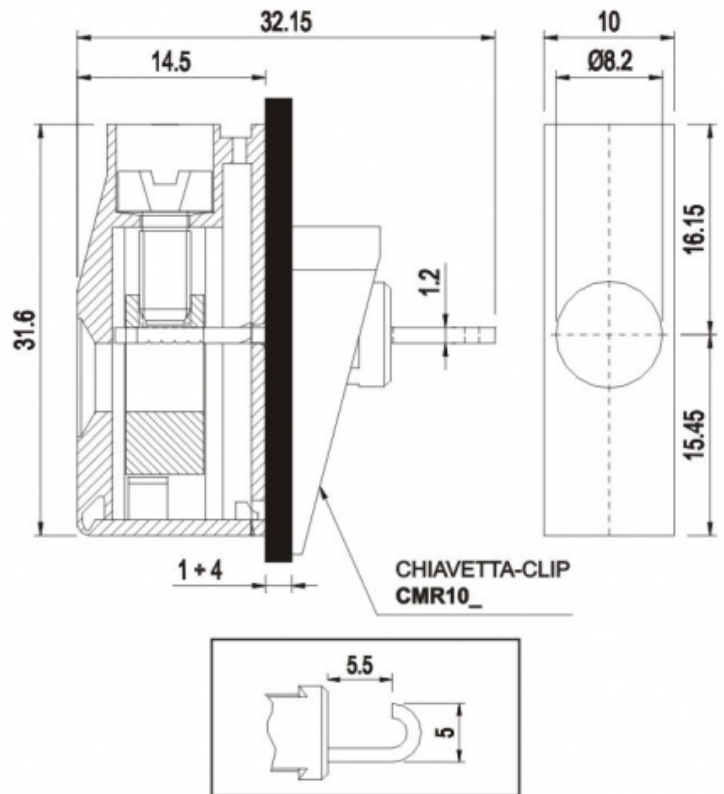


# MPT1010



## GENERAL INFORMATIONS

pitch:	10 mm
housing height:	31,60 mm
housing depth:	14.5 mm
dimensional class:	n/a
wire section:	10 mm <sup>2</sup> / 8 AWG
clamp opening size:	ø8.2 mm
wire stripping:	max 13.5 mm
operating temperature:	-40°C ÷ +130°C

## ELECTRICAL CHARACTERISTICS

current:	57A
voltage:	450V
test voltage:	2.5 kVrms/60s

## MECHANICAL CHARACTERISTICS

screw:	M4
max. torque:	1.2 Nm / 10.8 in.lbs

## APPROVALS DATA



EN 60998-1  
current: 57A  
voltage: 450V  
wire section: 10mm<sup>2</sup>  
torque: 1.2Nm  
FILE: CA02.01616



EN 60998-1  
current: 57A  
voltage: 450V  
wire section: 10mm<sup>2</sup>  
torque: 1.2Nm  
40014733



UL 1059  
65A factory / 65A field  
600V  
6÷30AWG  
15.8Lb-in  
E178356

## MATERIALS

## AVAILABLE COLOURS

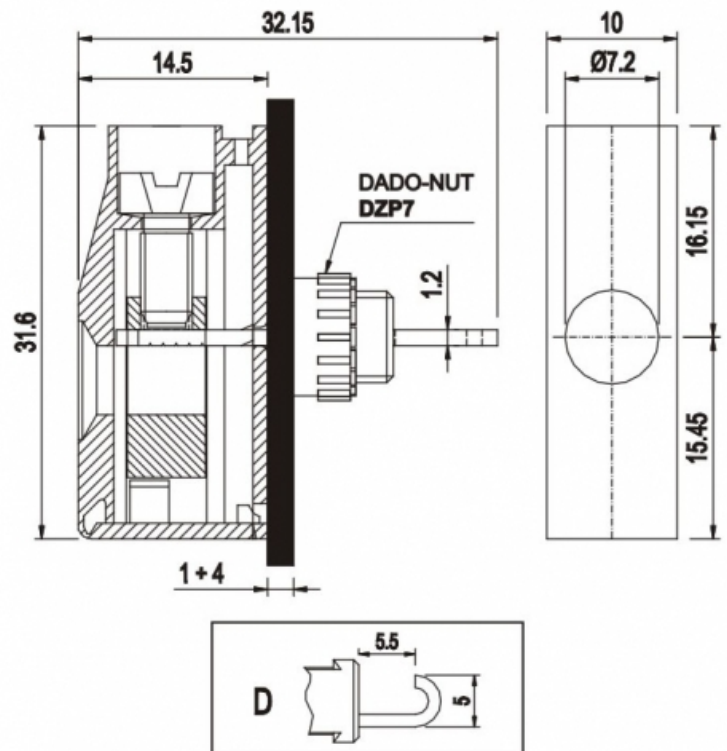
housing: PA - UL 94 V0  
screw: Galvanized steel  
clamp/spring: Nickeled copper alloy  
terminal: Tin-plated copper alloy



other colours: upon request

poles	P/N	pcs/pack	W [Kg]*	W [Kg]*
1	MPT1010	N/A	N/A	N/A

# MPT1010-D



## GENERAL INFORMATIONS

pitch:	10 mm
housing height:	31,60 mm
housing depth:	14.5 mm
dimensional class:	n/a
wire section:	10 mm <sup>2</sup> / 8 AWG
clamp opening size:	Ø7.2 mm
wire stripping:	max 13.5 mm
operating temperature:	-40°C ÷ +130°C

## ELECTRICAL CHARACTERISTICS

current:	57A
voltage:	450V
test voltage:	2.5 kVrms/60s

## MECHANICAL CHARACTERISTICS

screw:	M4
max. torque:	1.2 Nm / 10.8 in.lbs

## APPROVALS DATA



EN 60998-1  
 current: 57A  
 voltage: 450V  
 wire section: 10mm<sup>2</sup>  
 torque: 1.2Nm  
 FILE: CA02.01616



EN 60998-1  
 current: 57A  
 voltage: 450V  
 wire section: 10mm<sup>2</sup>  
 torque: 1.2Nm  
 40014733



UL 1059  
 65A factory / 65A field  
 600V  
 6÷30AWG  
 15.8Lb-in  
 E178356

## MATERIALS

## AVAILABLE COLOURS

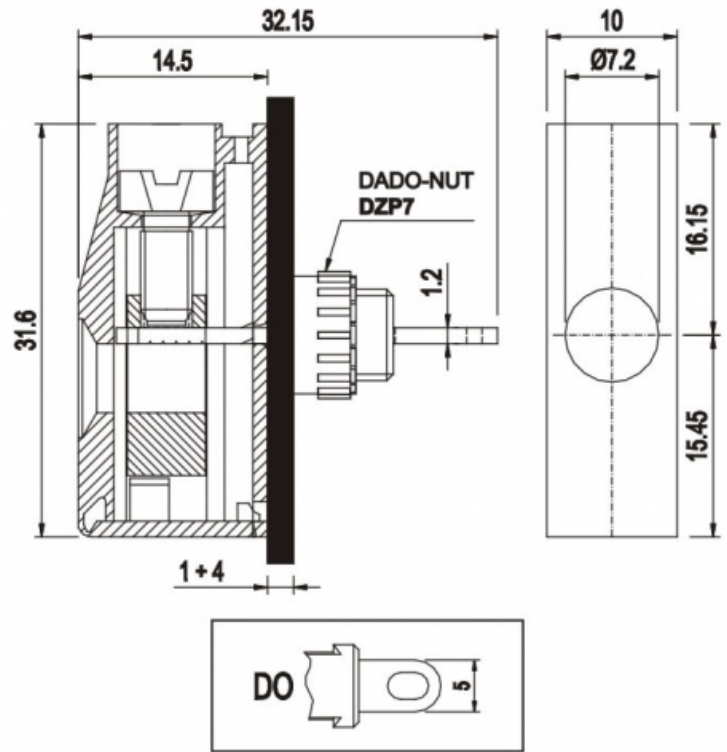
housing: PA - UL 94 V0  
screw: Galvanized steel  
clamp/spring: Nickeled copper alloy  
terminal: Tin-plated copper alloy



other colours: upon request

poles	P/N	pcs/pack	W [Kg]*	W [Kg]*
1	MPT1010-D	N/A	N/A	N/A

# MPT1010-DO



## GENERAL INFORMATIONS

pitch:	10 mm
housing height:	31,60 mm
housing depth:	14.5 mm
dimensional class:	n/a
wire section:	10 mm <sup>2</sup> / 8 AWG
clamp opening size:	ø7.2 mm
wire stripping:	max 13.5 mm
operating temperature:	-40°C ÷ +130°C

## ELECTRICAL CHARACTERISTICS

current:	57A
voltage:	450V
test voltage:	2.5 kVrms/60s

## MECHANICAL CHARACTERISTICS

screw:	M4
max. torque:	1.2 Nm / 10.8 in.lbs

## APPROVALS DATA



EN 60998-1  
 current: 57A  
 voltage: 450V  
 wire section: 10mm<sup>2</sup>  
 torque: 1.2Nm  
 FILE: CA02.01616



EN 60998-1  
 current: 57A  
 voltage: 450V  
 wire section: 10mm<sup>2</sup>  
 torque: 1.2Nm  
 40014733



UL 1059  
 65A factory / 65A field  
 600V  
 6÷30AWG  
 15.8Lb-in  
 E178356

## MATERIALS

## AVAILABLE COLOURS

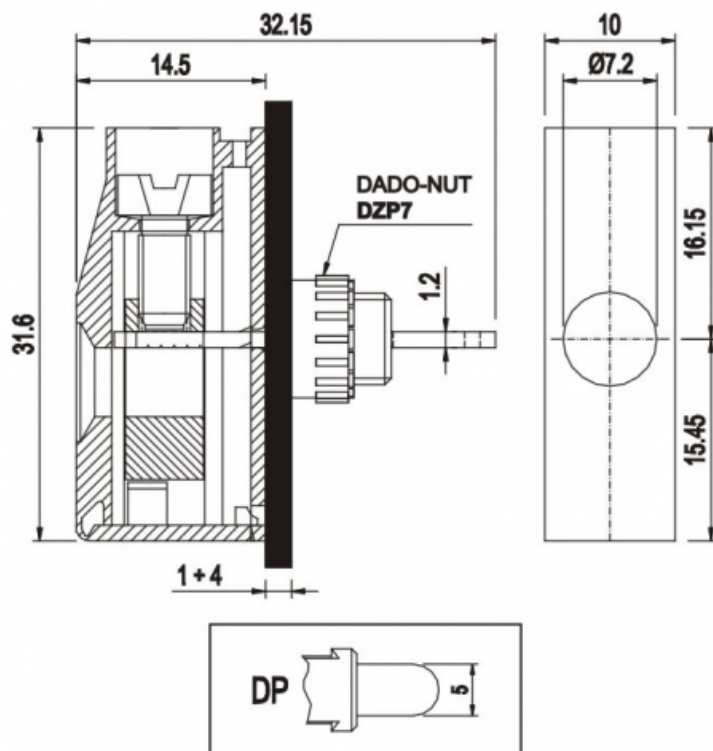
housing: PA - UL 94 V0  
screw: Galvanized steel  
clamp/spring: Nickeled copper alloy  
terminal: Tin-plated copper alloy



other colours: upon request

poles	P/N	pcs/pack	W [Kg]*	W [Kg]*
1	MPT1010-DO	N/A	N/A	N/A

# MPT1010-DP



## GENERAL INFORMATIONS

pitch:	10 mm
housing height:	31,60 mm
housing depth:	14.5 mm
dimensional class:	n/a
wire section:	10 mm <sup>2</sup> / 8 AWG
clamp opening size:	ø7.2 mm
wire stripping:	max 13.5 mm
operating temperature:	-40°C ÷ +130°C

## ELECTRICAL CHARACTERISTICS

current:	57A
voltage:	450V
test voltage:	2.5 kVrms/60s

## MECHANICAL CHARACTERISTICS

screw:	M4
max. torque:	1.2 Nm / 10.8 in.lbs

## APPROVALS DATA



EN 60998-1  
 current: 57A  
 voltage: 450V  
 wire section: 10mm<sup>2</sup>  
 torque: 1.2Nm  
 FILE: CA02.01616



EN 60998-1  
 current: 57A  
 voltage: 450V  
 wire section: 10mm<sup>2</sup>  
 torque: 1.2Nm  
 40014733



UL 1059  
 65A factory / 65A field  
 600V  
 6÷30AWG  
 15.8Lb-in  
 E178356

## MATERIALS

## AVAILABLE COLOURS

housing: PA - UL 94 V0  
screw: Galvanized steel  
clamp/spring: Nickeled copper alloy  
terminal: Tin-plated copper alloy

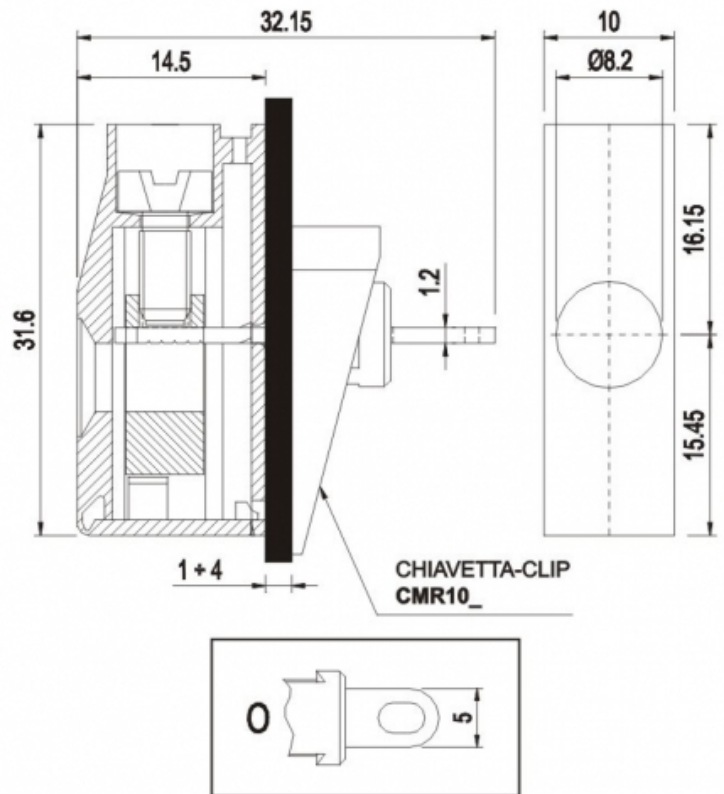


other colours: upon request

poles	P/N	pcs/pack	W [Kg]*	W [Kg]*
-------	-----	----------	---------	---------



# MPT1010-O



## GENERAL INFORMATIONS

pitch:	10 mm
housing height:	31,60 mm
housing depth:	14.5 mm
dimensional class:	n/a
wire section:	10 mm <sup>2</sup> / 8 AWG
clamp opening size:	Ø8.2 mm
wire stripping:	max 13.5 mm
operating temperature:	-40°C ÷ +130°C

## ELECTRICAL CHARACTERISTICS

current:	57A
voltage:	450V
test voltage:	2.5 kVrms/60s

## MECHANICAL CHARACTERISTICS

screw:	M3
max. torque:	1.2 Nm / 10.8 in.lbs

## APPROVALS DATA



EN 60998-1  
 current: 57A  
 voltage: 450V  
 wire section: 10mm<sup>2</sup>  
 torque: 1.2Nm  
 FILE: CA02.01616



EN 60998-1  
 current: 57A  
 voltage: 450V  
 wire section: 10mm<sup>2</sup>  
 torque: 1.2Nm  
 FILE: 40014733



UL 1059  
 65A factory / 65A field  
 600V  
 6÷30AWG  
 15.8Lb-in  
 E178356

## MATERIALS

## AVAILABLE COLOURS

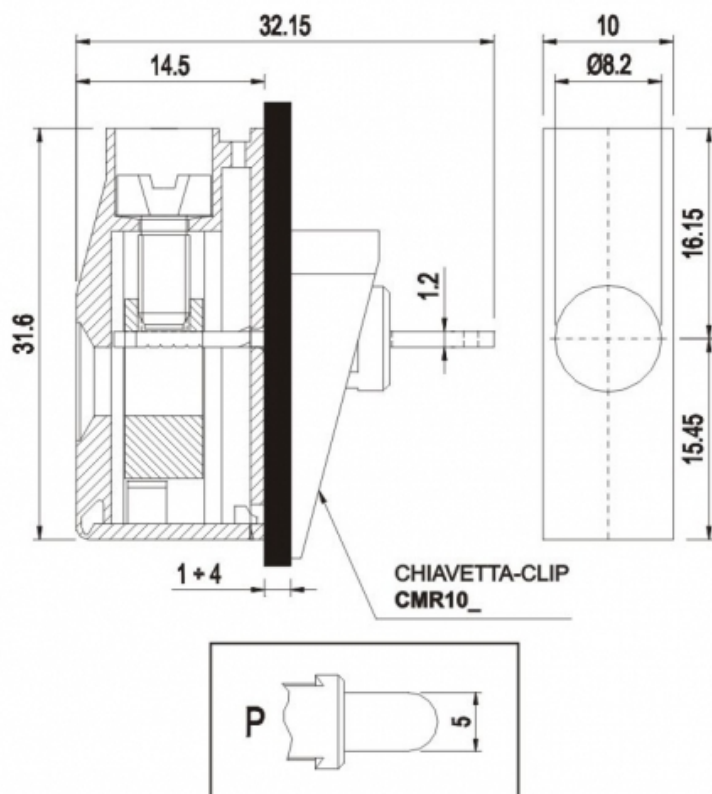
housing: PA - UL 94 V0  
screw: Galvanized steel  
clamp/spring: Nickeled copper alloy  
terminal: Tin-plated copper alloy



other colours: upon request

poles	P/N	pcs/pack	W [Kg]*	W [Kg]*
1	MPT1010-O	N/A	N/A	N/A

# MPT1010-P



## GENERAL INFORMATIONS

pitch:	10 mm
housing height:	31,60 mm
housing depth:	14.5 mm
dimensional class:	n/a
wire section:	10 mm <sup>2</sup> / 8 AWG
clamp opening size:	Ø8.2 mm
wire stripping:	max 13.5 mm
operating temperature:	-40°C ÷ +130°C

## ELECTRICAL CHARACTERISTICS

current:	57A
voltage:	450V
test voltage:	2.5 kVrms/60s

## MECHANICAL CHARACTERISTICS

screw:	M4
max. torque:	1.2 Nm / 10.8 in.lbs

## APPROVALS DATA



EN 60998-1  
 current: 57A  
 voltage: 450V  
 wire section: 10mm<sup>2</sup>  
 torque: 1.2Nm  
 FILE: CA02.01616



EN 60998-1  
 current: 57A  
 voltage: 450V  
 wire section: 10mm<sup>2</sup>  
 torque: 1.2Nm  
 40014733



UL 1059  
 65A factory / 65A field  
 600V  
 6÷30AWG  
 15.8Lb-in  
 E178356

## MATERIALS

## AVAILABLE COLOURS

housing: PA - UL 94 V0  
screw: Galvanized steel  
clamp/spring: Nickeled copper alloy  
terminal: Tin-plated copper alloy



other colours: upon request

poles	P/N	pcs/pack	W [Kg]*	W [Kg]*
1	MPT1010-P	N/A	N/A	N/A