

### Specifications

Current Rating: 3A AC,DC  
 Contact Resistance: 13mΩ Max  
 Insulation Resistance: 1000MΩ Min  
 Withstanding Voltage: 500V AC/minute  
 Temperature Range: -55°C ~ +105°C

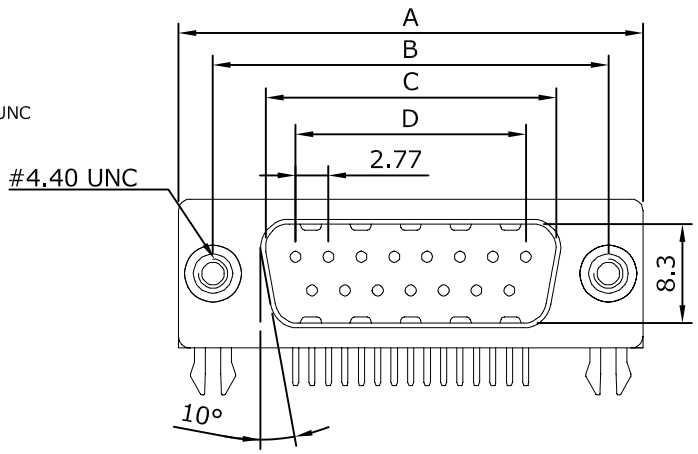
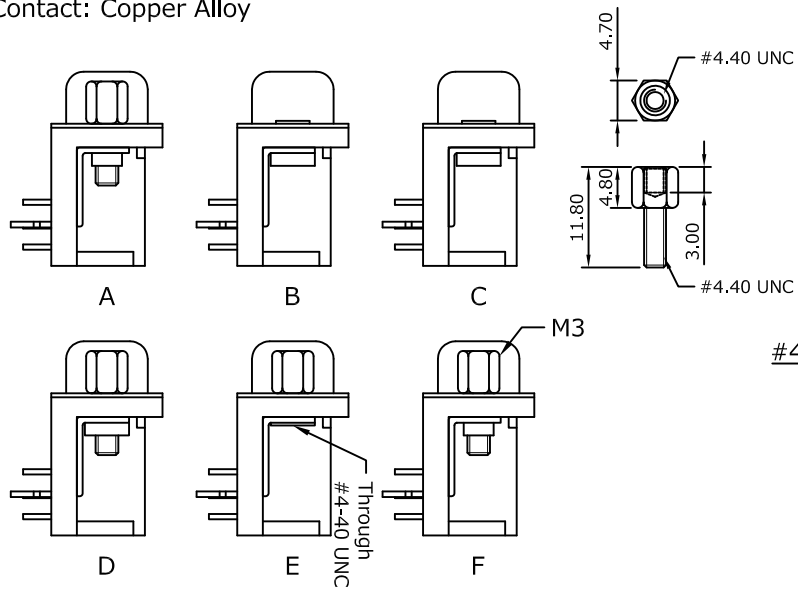
### Material

Insulator: P.B.T, UL94V-0  
 Contact: Copper Alloy

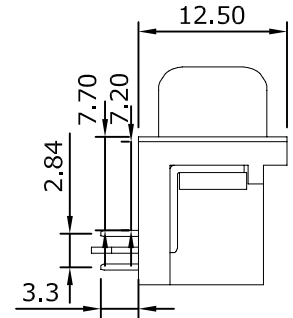
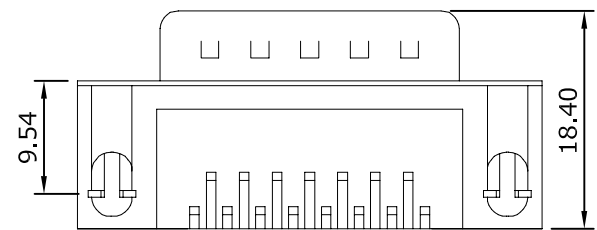
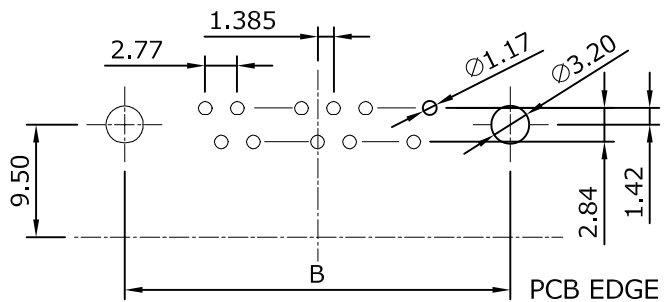
### ORDER INFORMATION



V	R	1	X	1	-	M	XX	1	X
D-SUB Type	Footprint 7.2mm	RoHS + P.B.T	Male	Fork Grounding	No. of Contacts	A:Jack Screw Insert, Height=4.8 B:Rivet C:Rivet & Jack Screw Attached D:Rivet & Jack Screw Insert, Height=4.8 E:Front Rivet #4-40+Jack Screw Insert, Height=4.8 F:Front Rivet M3+Jack Screw, Height=4.8			
Right Angle Type	G0:Gold Flash G1:Gold 3u" G2:Gold 5u" G3:Gold 10u" G4:Gold 15u" G5:Gold 30u"	S0:Selective Flash S1:Selective 3u" S2:Selective 5u" S3:Selective 10u" S4:Selective 15u" S5:Selective 30u"							



Positions	A	B	C	D
9	30.81	24.99	17.92	11.08
15	39.20	33.30	26.38	19.39
25	53.10	47.10	39.94	33.24
37	69.40	63.50	56.43	49.86



Recommended PCB THK=1.0~1.8mm  
 (PCB TOLERANCE ±0.05)

			<p><b>Morecrafts</b>                  Tel:+886-2-2966-1326                  Fax:+886-2-2966-1352</p>	PART NO.	VR1X1-MXX1X	DATE	2008/01/12
				DRAWING NO.	VR1X1-MXX1X	DRAWN	Andrew
				CUSTOMER P/N		APPROVED	Brian
REV.	DESCRIPTION	DATE	TITLE: D-SUB Right Angle Type Footprint 7.2mm	REV. A	TOLERANCE .X ±0.25 .XX ±0.20	SCALE FREE	UNIT mm