

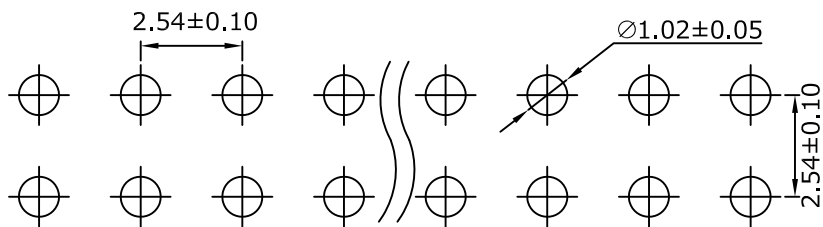
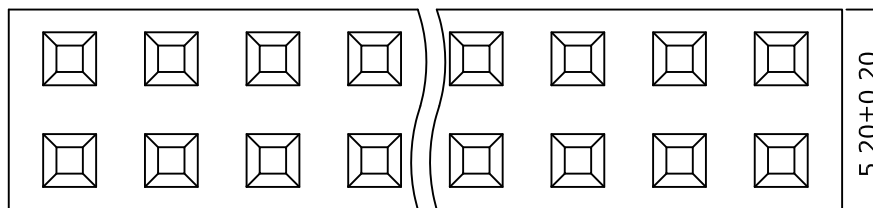
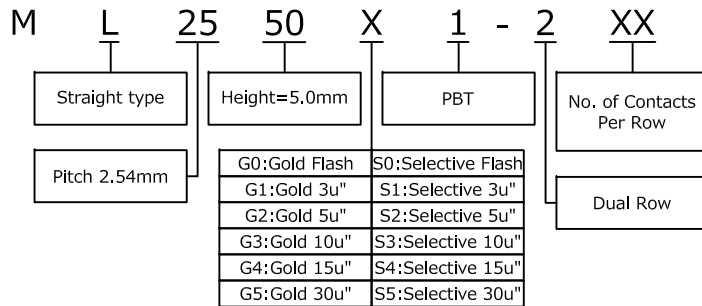
SPECIFICATIONS

Current Rating: 3A
 Contact Resistance: 20m Ω Max
 Insulation Resistance: 1000M Ω Min
 Withstanding Voltage: 500V AC for 1 minute
 Temperature Range: -40°C to +105°C

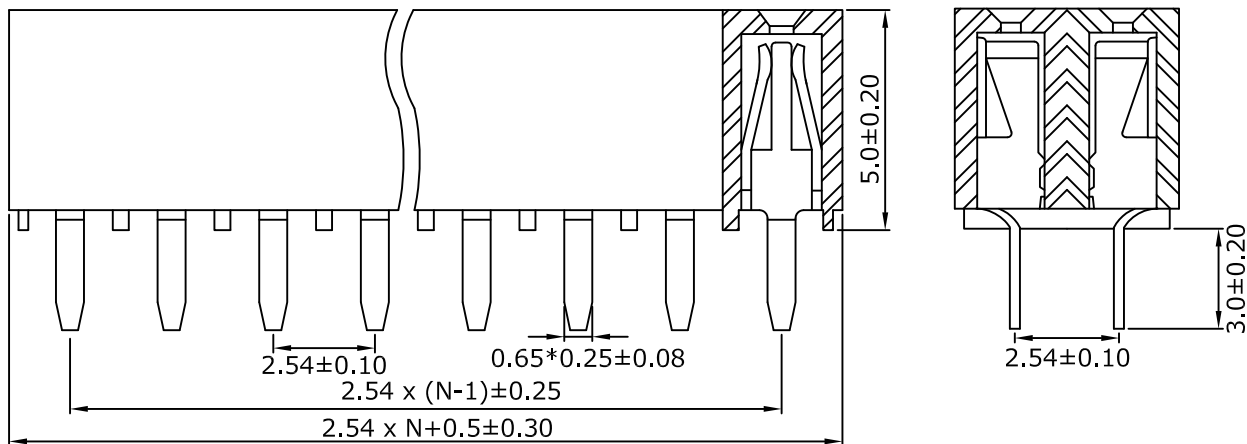
MATERIAL

Contact: Phosphor Bronze, Gold plated
 Insulator: PBT+30%G.F., UL94V-0

ORDER INFORMATION



Recommended PCB Layout



M Morecrafts Technology
 TEL: +886-2-2966-1326
 FAX: +886-2-2966-1352
 www.morecrafts.com.tw

PART NO.	ML2550X1-2XX	DRAWN	Andrew
DRAWING NO.	ML2550X1-2XX	CHECKED	Claudia
DATE	2020/10/26	APPROVED	Brian

TITLE:	Female Header 2.54mm H=5.0mm	REV.	A0	TOLERANCE	.X ±0.25 .XX ±0.20	SCALE	1:1	UNIT	mm
--------	------------------------------	------	----	-----------	-----------------------	-------	-----	------	----