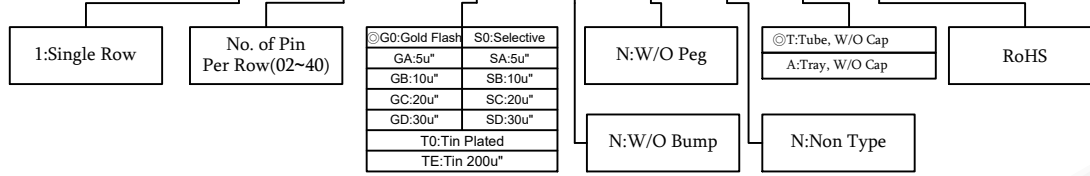


**MATERIAL** 

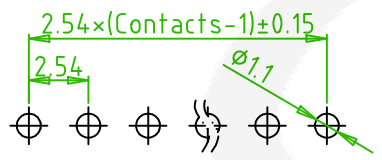
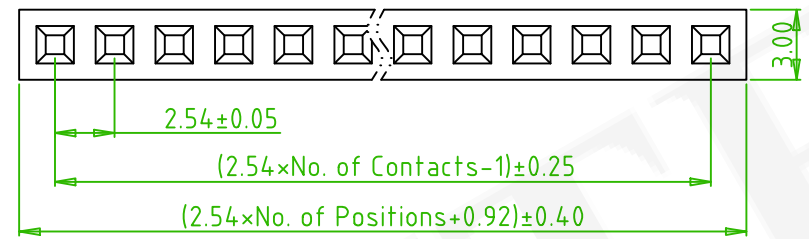
Insulator:PBT , UL94V-0 Black  
Contact Pin:Phosphor Bronze

**ORDER INFORMATION**

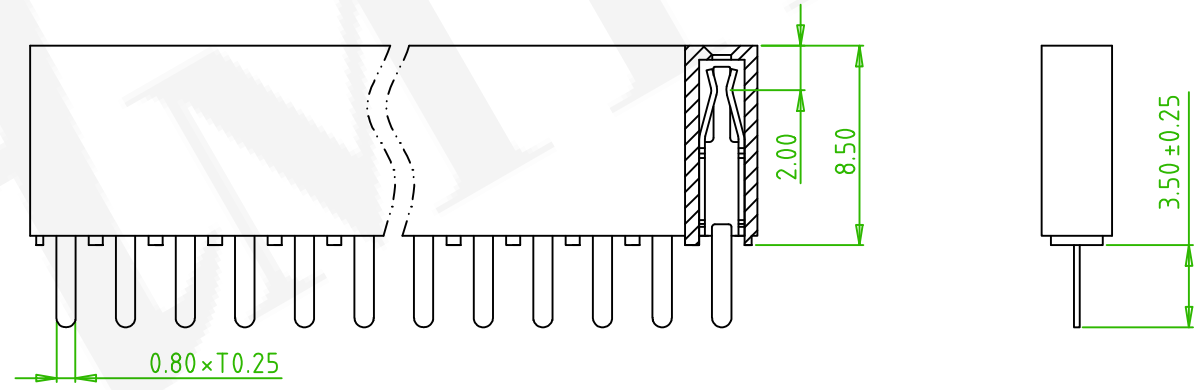
5 P S 1 T C B 8 5 - 1 X X X X N N N X L - 0 0




AMTEK 糧德  
2022.06.27  
Released DCC




Recommended PCB Layout  
(PCB TOLERANCE ±0.1)



Old Part No. : PS1T85-1XX-L

 糧德精密有限公司 Amtek Technology Co., Ltd. TEL: 886-2-2260-6878 FAX: 886-2-2260-8030	品名 TITLE	FEMALE HEADER 2.54mm			頁數 Page	1/1
	品號 PART NO.	5PS1TCB85-1XXXXNXXL-00			繪圖 DRAWN	Roy 2017/01/16
	圖號 DRAWING NO.	GN005-RL348	版本 REV.	B	核對 CHECKED	Jonny 2017/01/16
	客戶品號 CUSTOMER P/N		比例 SCALE	None	承認 APPROVED	Aaron 2017/01/16
	公差 TOLERANCE	.X ± 0.25 .XX ± 0.20	.X° ± 3	單位 UNIT	mm	THIRD ANGLE PROJECTION

	ECN NO.:220102 Revise the drawing	Alice	2022/05/11
REV.	ECN NO. OR DESCRIPTION	REVISED	DATE