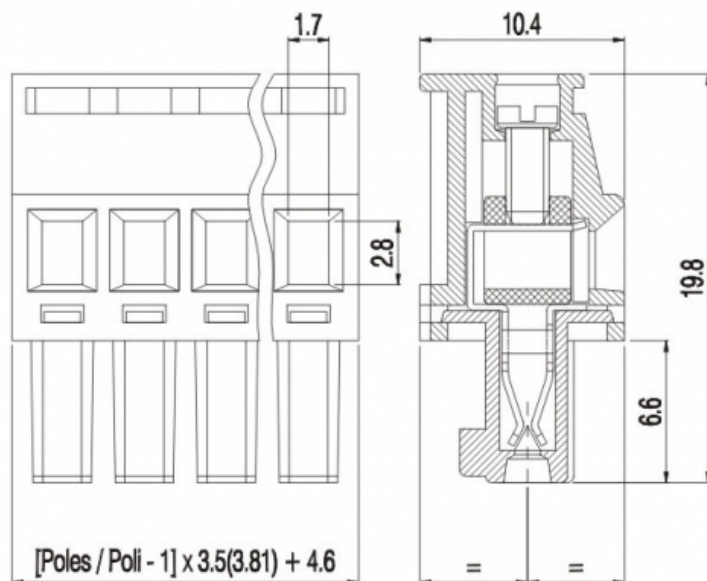


# SVxx-3,5-P



## GENERAL INFORMATIONS

pitch:	3,5 mm
housing height:	19,80 mm
housing depth:	10.4 mm
dimensional class:	medium
wire section:	2.5 mm <sup>2</sup> / 14 AWG
clamp opening size:	1.7 x 2.8 mm
wire stripping:	max 8 mm
operating temperature:	-40°C ÷ +105°C

## ELECTRICAL CHARACTERISTICS

current:	8A
voltage:	160V
impulse voltage:	2.5 kV

## MECHANICAL CHARACTERISTICS

screw:	M2
max. torque:	0.2 Nm / 1.8 in.lbs

## APPROVALS DATA



current:	-	-	-
voltage:	-	-	-
FILE:	-	-	-

## MATERIALS

housing:	PA - UL 94 V0
screw:	Galvanized steel
clamp/spring:	Nickel copper alloy
terminal:	Tin-plated copper alloy

## AVAILABLE COLOURS



other colours: upon request

poles	P/N	pcs/pack	W [Kg]*	W [Kg]*
02	SV02-3,5-P	N/A	N/A	N/A
03	SV03-3,5-P	N/A	N/A	N/A

04	SV04-3,5-P	N/A	N/A	N/A
05	SV05-3,5-P	N/A	N/A	N/A
06	SV06-3,5-P	N/A	N/A	N/A
07	SV07-3,5-P	N/A	N/A	N/A
08	SV08-3,5-P	N/A	N/A	N/A
09	SV09-3,5-P	N/A	N/A	N/A
10	SV10-3,5-P	N/A	N/A	N/A
11	SV11-3,5-P	N/A	N/A	N/A
12	SV12-3,5-P	N/A	N/A	N/A
13	SV13-3,5-P	N/A	N/A	N/A
14	SV14-3,5-P	N/A	N/A	N/A
15	SV15-3,5-P	N/A	N/A	N/A
16	SV16-3,5-P	N/A	N/A	N/A
17	SV17-3,5-P	N/A	N/A	N/A
18	SV18-3,5-P	N/A	N/A	N/A
19	SV19-3,5-P	N/A	N/A	N/A
20	SV20-3,5-P	N/A	N/A	N/A
21	SV21-3,5-P	N/A	N/A	N/A
22	SV22-3,5-P	N/A	N/A	N/A
23	SV23-3,5-P	N/A	N/A	N/A
24	SV24-3,5-P	N/A	N/A	N/A