

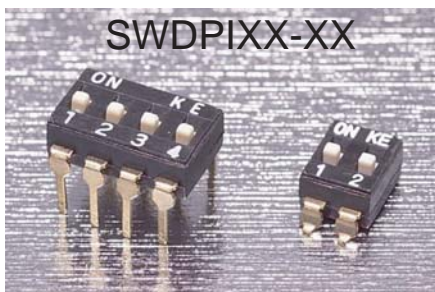
CONNECTORS MANUFACTURE



Dip Switch



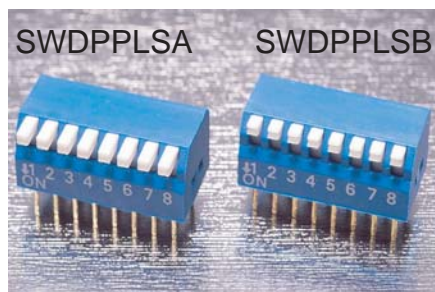
SWDPHTM-XX



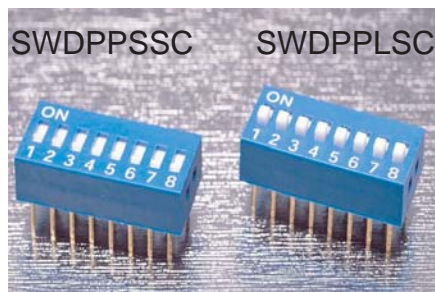
SWDPIXX-XX



SWDPPLX-XX



SWDPPLSA SWDPPLSB



SWDPPSSC SWDPPLSC



SWDPPXR

Ratings:

Contact Rating

Switching : 25mA at 24VDC
 Non-Switching : 100mA at 50VDC

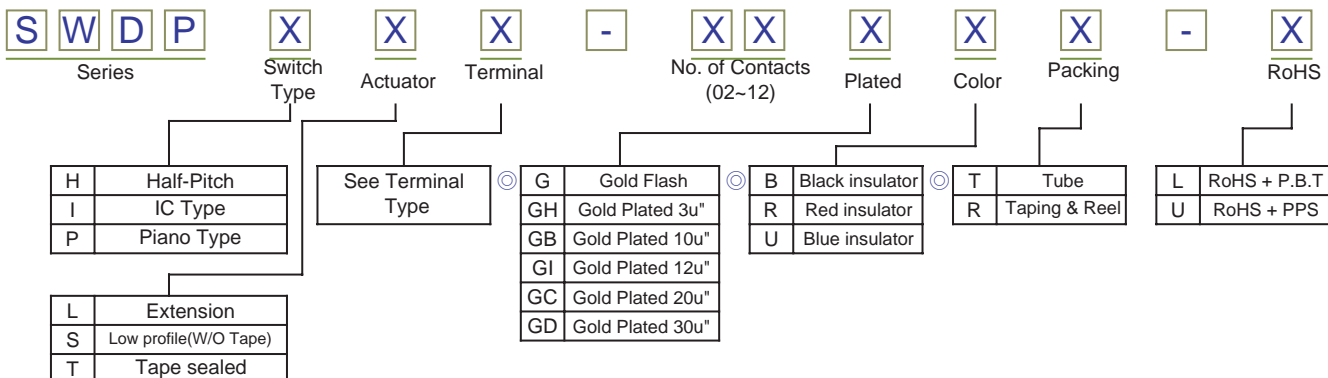
Contact Resistance

Initial : 50M Ω Max
 After life : 100M Ω Max
 Insulation Resistance : 100M Ω Max, Min at 100 VDC
 Dielectric Strength : 300VAC for 60 seconds
 Switch Capacitance : 5pF Max at 1MHZ
 Operation Temperature : -30°C to +85°C
 Storage Temperature : -40°C to +85°C

Mechanical & Processing

Operation Force : 500gf Max
 Mechanical Life : 1000 cycles Operations
 Resistance to Soldering : P.B.T 200°C±5°C for 5 sec
 : PPS 245°C±5°C for 5 sec

ORDER INFORMATION



⊙:Standard Recommend

ESTO GRUPE CONNECTORS MANUFACTURE