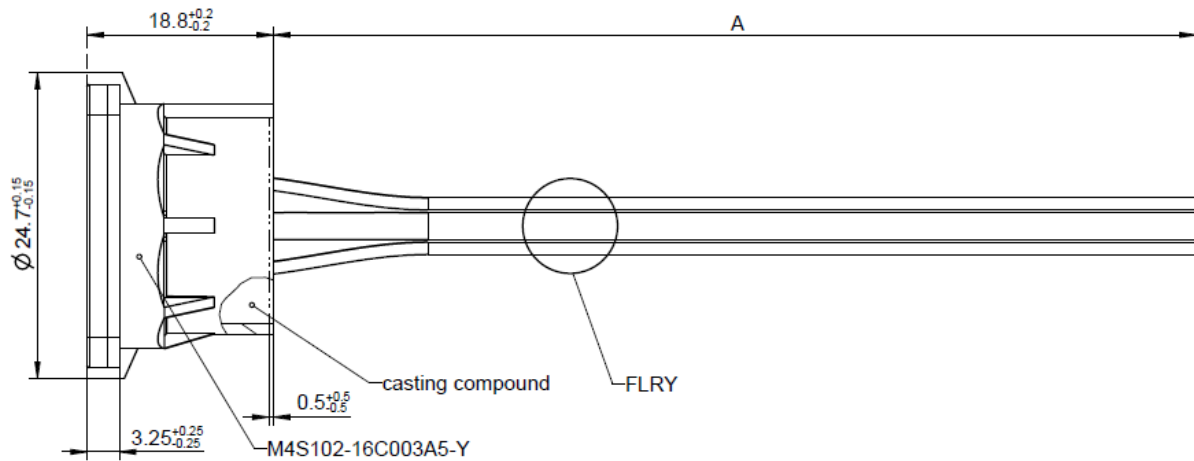


M4

Battery panel plug  
straight 4-hole-flange

**C003-B1-XXX-Y**



All dimensions are in mm; tolerances according to ISO 2768 m-H

**Documents**

Connector data sheet  
Assembly drawing

M4S102-16C003A5-Y  
C003-B1-XXX-Y\_LV

**Cable**

FLRY 2,5-B  
FLRY 0,35-B

2x2,5mm<sup>2</sup>  
4x0,35mm<sup>2</sup>

**Packing**

Standard

x pcs / cardboard – depends on cable length

**Preliminary**

Dieses Dokument ist urheberrechtlich geschützt • This document is protected by copyright • Rosenberger Hochfrequenztechnik GmbH & Co. KG

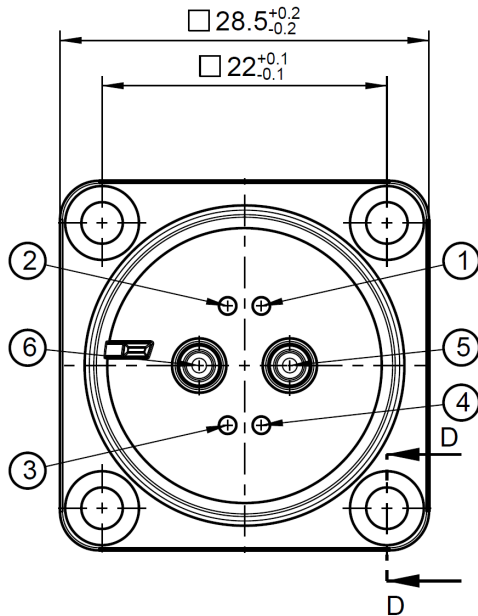
RF\_35/09;14/6.2

M4

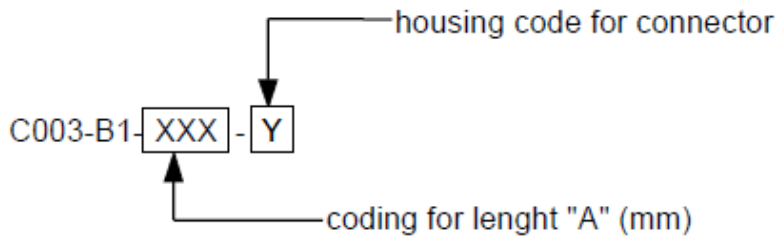
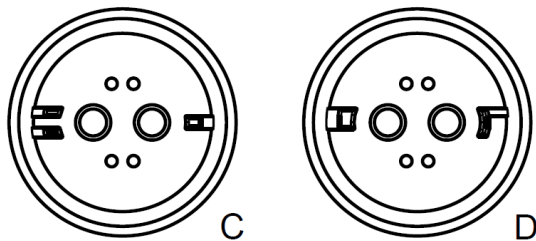
Battery panel plug  
straight 4-hole-flange

**C003-B1-XXX-Y**

**Pinning**



**Coding**



**Preliminary**

While the information has been carefully compiled to the best of our knowledge, nothing is intended as representation or warranty on our part and no statement herein shall be construed as recommendation to infringe existing patents. In the effort to improve our products, we reserve the right to make changes judged to be necessary.

Draft	Date	Approved	Date	Rev.	Engineering change number	Name	Date
S. Schöndorfer	25.04.16	S. Schöndorfer	07.03.18	200	18-0432	B. Lorenz	07.03.18

Rosenberger Hochfrequenztechnik GmbH & Co. KG P.O.Box 1260 D-84526 Tittmoning Germany <a href="http://www.rosenberger.de">www.rosenberger.de</a>					Tel. : +49 8684 18-0 Email : <a href="mailto:info@rosenberger.de">info@rosenberger.de</a>		Page 2 / 2
--	--	--	--	--	--	--	---------------