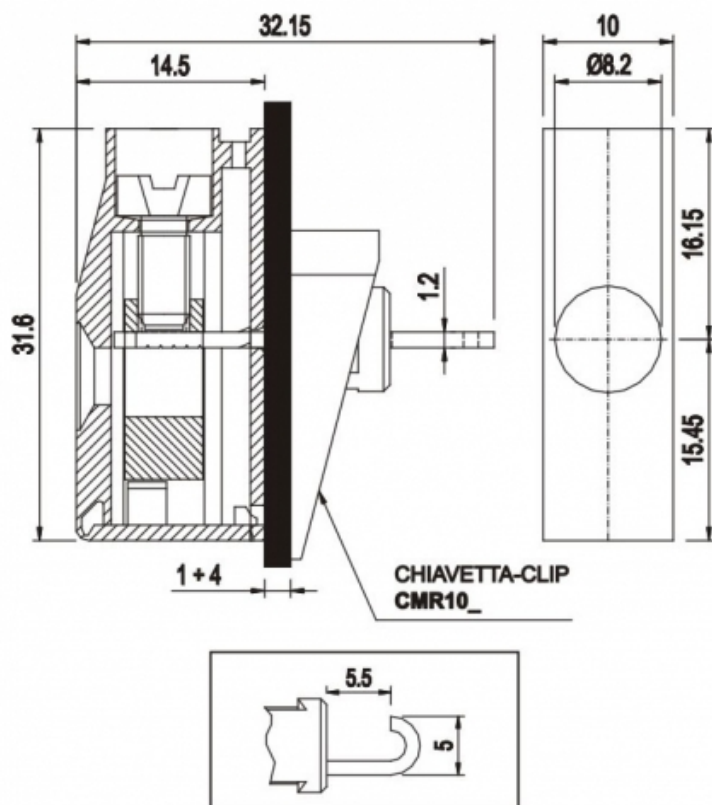


# MPT610



## GENERAL INFORMATIONS

pitch:	10 mm
housing height:	31,60 mm
housing depth:	14.5 mm
dimensional class:	high
wire section:	6.0 mm <sup>2</sup> / 10 AWG
clamp opening size:	ø8.2 mm
wire stripping:	max 13.5 mm
operating temperature:	-40°C ÷ +130°C

## ELECTRICAL CHARACTERISTICS

current:	41A
voltage:	450V
test voltage:	2.5 kVrms/60s

## MECHANICAL CHARACTERISTICS

screw:	M4
max. torque:	1.2 Nm / 10.8 in.lbs

## APPROVALS DATA



EN 60998-1

current:	41A
voltage:	450V
wire section:	6.0mm <sup>2</sup>
torque:	1.2Nm
FILE:	CA02.01615



EN 60998-1

current:	41A
voltage:	450V
wire section:	6.0mm <sup>2</sup>
torque:	1.2Nm
FILE:	40014733



UL 1059

current:	50A factory / 50A field
voltage:	600V
wire section:	8÷30AWG
torque:	15.8Lb-in
FILE:	E178356

## MATERIALS

housing:	PA - UL 94 V0
----------	---------------

## AVAILABLE COLOURS

screw:  
clamp/spring:  
terminal:

Galvanized steel  
Nicked copper alloy  
Tin-plated copper alloy

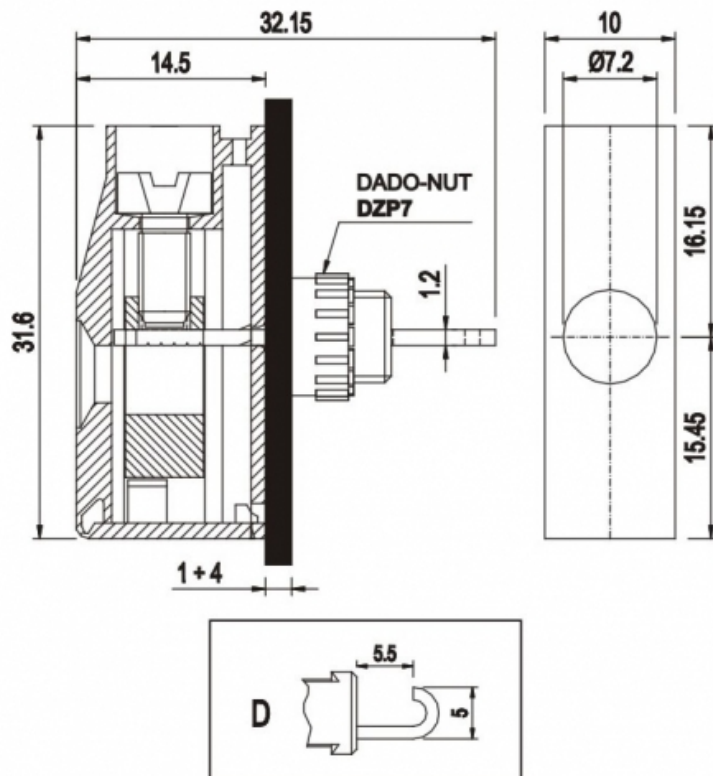


other colours:

upon request

poles	P/N	pcs/pack	W [Kg]*	W [Kg]*
1	MPT610	N/A	N/A	N/A

# MPT610-D



## GENERAL INFORMATIONS

pitch:	10 mm
housing height:	31,60 mm
housing depth:	14.5 mm
dimensional class:	high
wire section:	6.0 mm <sup>2</sup> / 10 AWG
clamp opening size:	ø7.2 mm
wire stripping:	max 13.5 mm
operating temperature:	-40°C ÷ +130°C

## ELECTRICAL CHARACTERISTICS

current:	41A
voltage:	450V
test voltage:	2.5 kVrms/60s

## MECHANICAL CHARACTERISTICS

screw:	M4
max. torque:	1.2 Nm / 10.8 in.lbs

## APPROVALS DATA



	EN 60998-1
current:	41A
voltage:	450V
wire section:	6.0mm <sup>2</sup>
torque:	1.2Nm
FILE:	CA02.01615



	EN 60998-1
current:	41A
voltage:	450V
wire section:	6.0mm <sup>2</sup>
torque:	1.2Nm
FILE:	40014733



	UL 1059
current:	50A factory / 50A field
voltage:	600V
wire section:	8÷30AWG
torque:	15.8Lb-in
FILE:	E178356

## MATERIALS

## AVAILABLE COLOURS

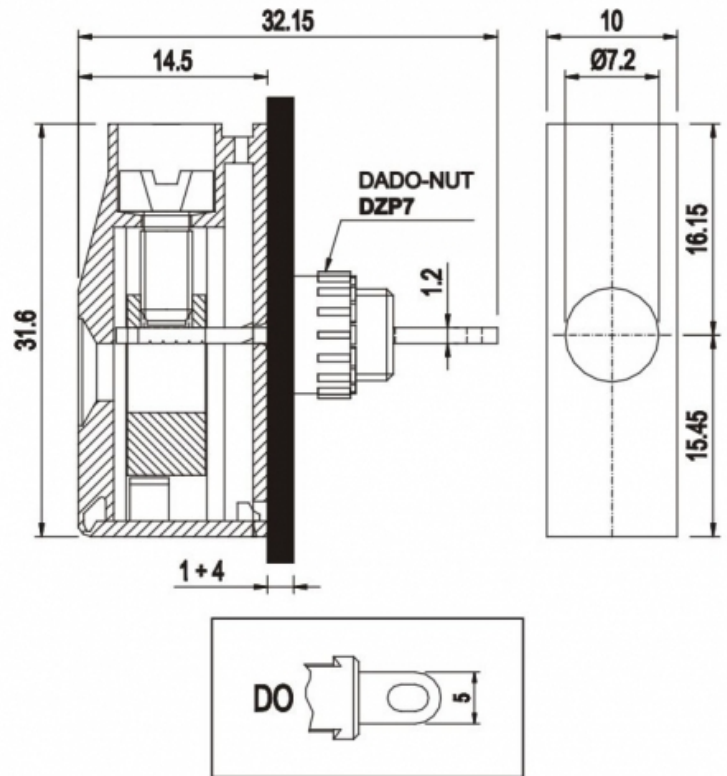
housing: PA - UL 94 V0  
screw: Galvanized steel  
clamp/spring: Nickeled copper alloy  
terminal: Tin-plated copper alloy



other colours: upon request

poles	P/N	pcs/pack	W [Kg]*	W [Kg]*
1	MPT610-D	N/A	N/A	N/A

# MPT610-DO



## GENERAL INFORMATIONS

pitch:	10 mm
housing height:	31,60 mm
housing depth:	14.5 mm
dimensional class:	high
wire section:	6.0 mm <sup>2</sup> / 10 AWG
clamp opening size:	Ø7.2 mm
wire stripping:	max 13.5 mm
operating temperature:	-40°C ÷ +130°C

## ELECTRICAL CHARACTERISTICS

current:	41A
voltage:	450V
test voltage:	2.5 kVrms/60s

## MECHANICAL CHARACTERISTICS

screw:	M4
max. torque:	1.2 Nm / 10.8 in.lbs

## APPROVALS DATA



	EN 60998-1
current:	41A
voltage:	450V
wire section:	6.0mm <sup>2</sup>
torque:	1.2Nm
FILE:	CA02.01615



	EN 60998-1
current:	41A
voltage:	450V
wire section:	6.0mm <sup>2</sup>
torque:	1.2Nm
FILE:	40014733



	UL 1059
current:	50A factory / 50A field
voltage:	600V
wire section:	8÷30AWG
torque:	15.8Lb-in
FILE:	E178356

## MATERIALS

## AVAILABLE COLOURS

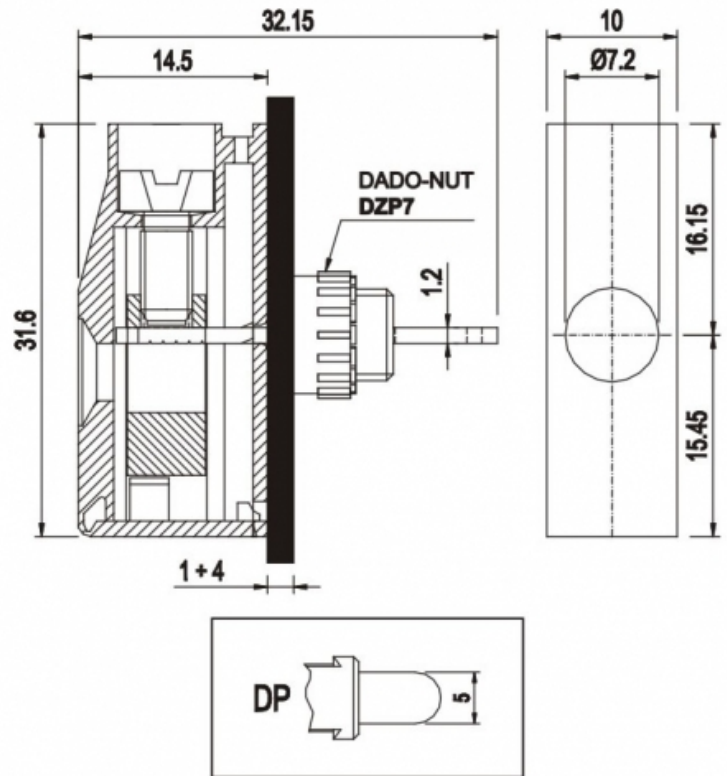
housing: PA - UL 94 V0  
screw: Galvanized steel  
clamp/spring: Nickeled copper alloy  
terminal: Tin-plated copper alloy



other colours: upon request

poles	P/N	pcs/pack	W [Kg]*	W [Kg]*
1	MPT610-DO	N/A	N/A	N/A

# MPT610-DP



## GENERAL INFORMATIONS

pitch:	10 mm
housing height:	31,60 mm
housing depth:	14.5 mm
dimensional class:	high
wire section:	6.0 mm <sup>2</sup> / 10 AWG
clamp opening size:	ø7.2 mm
wire stripping:	max 13.5 mm
operating temperature:	-40°C ÷ +130°C

## ELECTRICAL CHARACTERISTICS

current:	41A
voltage:	450V
test voltage:	2.5 kVrms/60s

## MECHANICAL CHARACTERISTICS

screw:	M4
max. torque:	1.2 Nm / 10.8 in.lbs

## APPROVALS DATA



EN 60998-1  
 current: 41A  
 voltage: 450V  
 wire section: 6.0mm<sup>2</sup>  
 torque: 1.2Nm  
 FILE: CA02.01615



EN 60998-1  
 current: 41A  
 voltage: 450V  
 wire section: 6.0mm<sup>2</sup>  
 torque: 1.2Nm  
 40014733



UL 1059  
 50A factory / 50A field  
 600V  
 8÷30AWG  
 15.8Lb-in  
 E178356

## MATERIALS

## AVAILABLE COLOURS

housing: PA - UL 94 V0  
screw: Galvanized steel  
clamp/spring: Nickeled copper alloy  
terminal: Tin-plated copper alloy

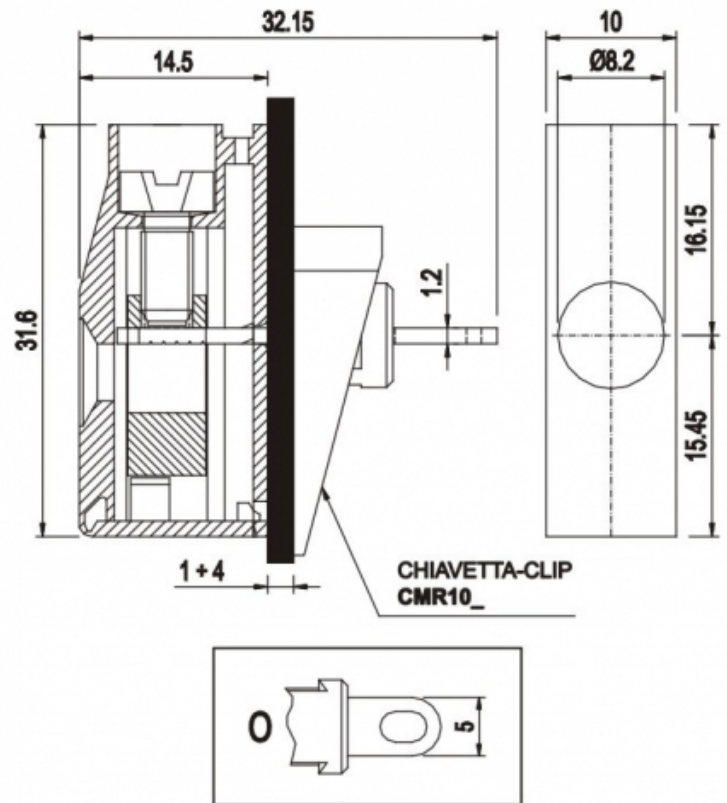


other colours: upon request

poles	P/N	pcs/pack	W [Kg]*	W [Kg]*
1	MPT610-DP	N/A	N/A	N/A



# MPT610-O



## GENERAL INFORMATIONS

pitch:	10 mm
housing height:	31,60 mm
housing depth:	14.5 mm
dimensional class:	high
wire section:	6.0 mm <sup>2</sup> / 10 AWG
clamp opening size:	Ø8.2 mm
wire stripping:	max 13.5 mm
operating temperature:	-40°C ÷ +130°C

## ELECTRICAL CHARACTERISTICS

current:	41A
voltage:	450V
test voltage:	2.5 kVrms/60s

## MECHANICAL CHARACTERISTICS

screw:	M4
max. torque:	1.2 Nm / 10.8 in.lbs

## APPROVALS DATA



EN 60998-1

current:	41A
voltage:	450V
wire section:	6.0mm <sup>2</sup>
torque:	1.2Nm
FILE:	CA02.01615



EN 60998-1

current:	41A
voltage:	450V
wire section:	6.0mm <sup>2</sup>
torque:	1.2Nm
FILE:	40014733



UL 1059

current:	50A factory / 50A field
voltage:	600V
wire section:	8÷30AWG
torque:	15.8Lb-in
FILE:	E178356

## MATERIALS

housing:	PA - UL 94 V0
----------	---------------

## AVAILABLE COLOURS

screw:  
clamp/spring:  
terminal:

Galvanized steel  
Nickeled copper alloy  
Tin-plated copper alloy

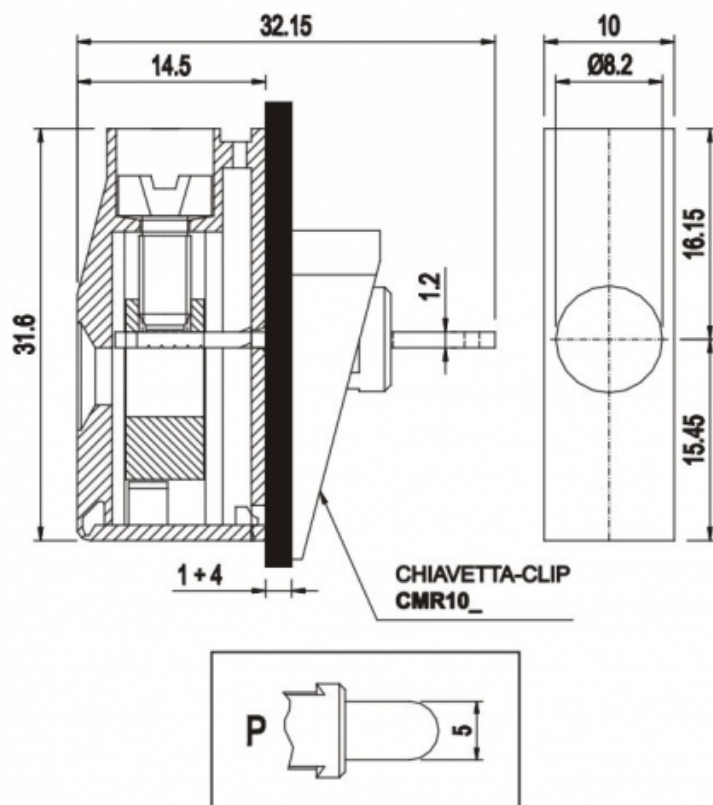


other colours:

upon request

poles	P/N	pcs/pack	W [Kg]*	W [Kg]*
1	MPT610-O	N/A	N/A	N/A

# MPT610-P



## GENERAL INFORMATIONS

pitch:	10 mm
housing height:	31,60 mm
housing depth:	14.5 mm
dimensional class:	high
wire section:	6.0 mm <sup>2</sup> / 10 AWG
clamp opening size:	Ø8.2 mm
wire stripping:	max 13.5 mm
operating temperature:	-40°C ÷ +130°C

## ELECTRICAL CHARACTERISTICS

current:	41A
voltage:	450V
test voltage:	2.5 kVrms/60s

## MECHANICAL CHARACTERISTICS

screw:	M4
max. torque:	1.2 Nm / 10.8 in.lbs

## APPROVALS DATA



EN 60998-1  
 current: 41A  
 voltage: 450V  
 wire section: 6.0mm<sup>2</sup>  
 torque: 1.2Nm  
 FILE: CA02.01615



EN 60998-1  
 current: 41A  
 voltage: 450V  
 wire section: 6.0mm<sup>2</sup>  
 torque: 1.2Nm  
 40014733



UL 1059  
 50A factory / 50A field  
 600V  
 8÷30AWG  
 15.8Lb-in  
 E178356

## MATERIALS

housing: PA - UL 94 V0

## AVAILABLE COLOURS

screw:  
clamp/spring:  
terminal:

Galvanized steel  
Nicked copper alloy  
Tin-plated copper alloy



other colours:

upon request

poles	P/N	pcs/pack	W [Kg]*	W [Kg]*
1	MPT610-P	N/A	N/A	N/A