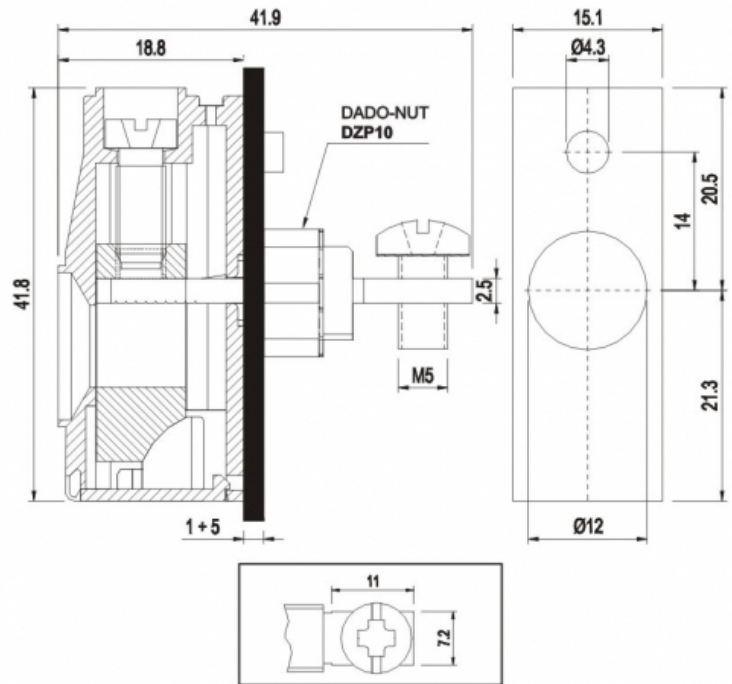


MPT2515



GENERAL INFORMATIONS

pitch:	15,1 mm
housing height:	41,80 mm
housing depth:	18.8 mm
dimensional class:	n/a
wire section:	25 mm ² / 4 AWG
clamp opening size:	Ø12 mm
wire stripping:	max 17 mm
operating temperature:	-40°C ÷ +130°C

ELECTRICAL CHARACTERISTICS

current:	101A
voltage:	750V
test voltage:	3 kVrms/60s

MECHANICAL CHARACTERISTICS

screw:	M5
max. torque:	2 Nm / 18 in.lbs
rec. torque (bar):	2 Nm / 18 in.lbs

APPROVALS DATA



	-	EN 60998-1	UL 1059
current:	-	101A	101A factory / 85A field
voltage:	-	750V	600V
wire section:	-	25mm ²	4÷30AWG
torque:	-	1.2Nm	18Lb-in
FILE:	-	40016489	E178356

MATERIALS

AVAILABLE COLOURS

housing:

PA - UL 94 V0

screw:

Galvanized steel

clamp/spring:

Nickel copper alloy

terminal:

Copper alloy

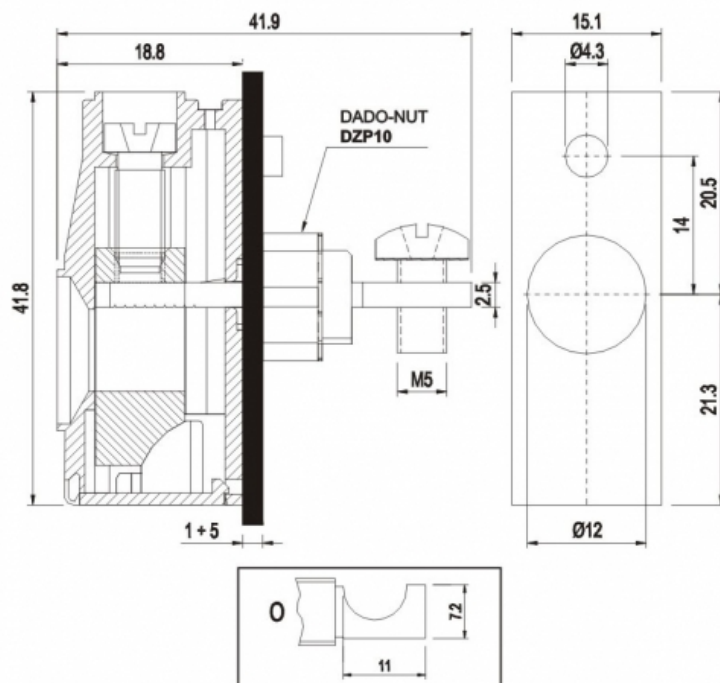


other colours:

upon request

poles	P/N	pcs/pack	W [Kg]*	W [Kg]*
1	MPT2515	N/A	N/A	N/A

MPT2515-O



GENERAL INFORMATIONS

pitch:	15,1 mm
housing height:	41,80 mm
housing depth:	18.8 mm
dimensional class:	n/a
wire section:	25 mm ² / 4 AWG
clamp opening size:	ø23 mm
wire stripping:	max 28 mm
operating temperature:	-40°C ÷ +130°C

ELECTRICAL CHARACTERISTICS

current:	101A
voltage:	750V
test voltage:	3 kVrms/60s

MECHANICAL CHARACTERISTICS

screw:	M5
max. torque:	2 Nm / 18 in.lbs
rec. torque (bar):	2 Nm / 18 in.lbs

APPROVALS DATA



	-	EN 60998-1	UL 1059
current:	-	101A	101A factory / 85A field
voltage:	-	750V	600V
wire section:	-	25mm ²	4÷30AWG
torque:	-	1.2Nm	18Lb-in
FILE:	-	40016489	E178356

MATERIALS

AVAILABLE COLOURS

housing:

PA - UL 94 V0

screw:

Galvanized steel

clamp/spring:

Nickel copper alloy

terminal:

Copper alloy

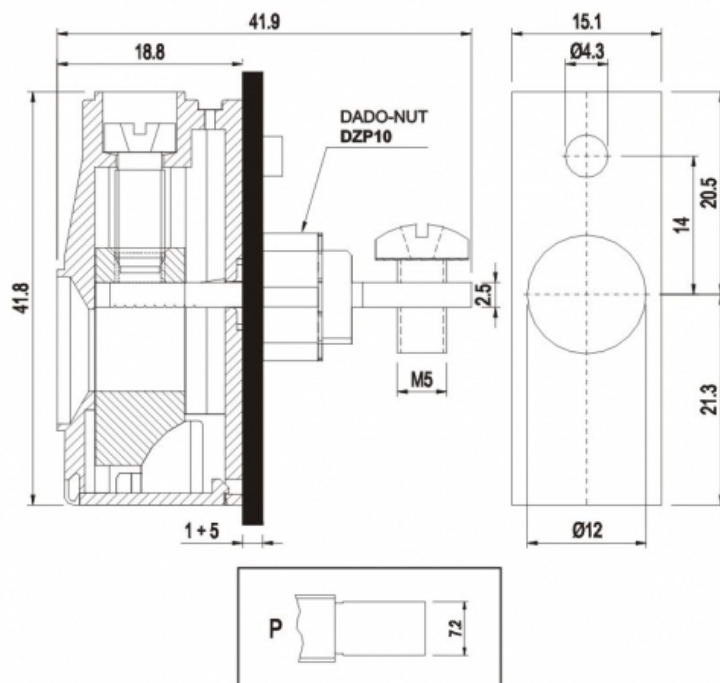


other colours:

upon request

poles	P/N	pcs/pack	W [Kg]*	W [Kg]*
1	MPT2515-O	N/A	N/A	N/A

MPT2515-P



GENERAL INFORMATIONS

pitch:	15,1 mm
housing height:	41,80 mm
housing depth:	18.8 mm
dimensional class:	n/a
wire section:	25 mm ² / 4 AWG
clamp opening size:	ø12 mm
wire stripping:	max 17 mm
operating temperature:	-40°C ÷ +130°C

ELECTRICAL CHARACTERISTICS

current:	101A
voltage:	750V
test voltage:	3 kVrms/60s

MECHANICAL CHARACTERISTICS

screw:	M5
max. torque:	2 Nm / 18 in.lbs
rec. torque (bar):	2 Nm / 18 in.lbs

APPROVALS DATA



	-	EN 60998-1	UL 1059
current:	-	101A	101A factory / 85A field
voltage:	-	750V	600V
wire section:	-	25mm ²	4÷30AWG
torque:	-	1.2Nm	18Lb-in
FILE:	-	40016489	E178356

MATERIALS

AVAILABLE COLOURS

housing:

PA - UL 94 V0

screw:

Galvanized steel

clamp/spring:

Nickel copper alloy

terminal:

Copper alloy



other colours:

upon request

poles	P/N	pcs/pack	W [Kg]*	W [Kg]*
1	MPT2515-P	N/A	N/A	N/A